

Floor Chain Tie-Down Instructions

The Kinedyne Floor Chain Tie-down is for use on steel frame flatbed trailers. It is self-storing and mounts flush with the wooden trailer deck to prevent interference during loading or unloading. The Kinedyne Floor Chain Tie-down provides a convenient anchor point for securing loads.

Installation Instructions

- 1 The Floor Chain Tie-down shall be located near a trailer cross member.
- 2 Measure $2\frac{3}{4}$ " from the web of the trailer cross member to establish the centerline for the hole in the trailer deck (see Figure 1).

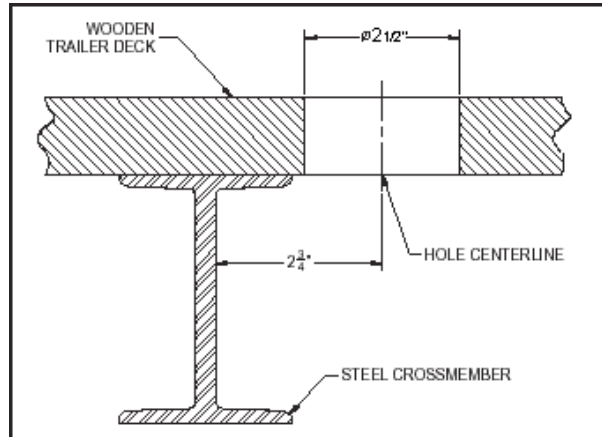


Figure 1

- 3 Drill a $\frac{1}{4}$ " diameter pilot hole from the underside and up through the trailer deck. From the top side use the $\frac{1}{4}$ " pilot hole to bore a $2\frac{1}{2}$ " diameter hole through the deck.
- 4 Insert the Floor Chain Tie-down into the hole in the wooden deck from the underside. The top of the floor chain tie-down should be flush with the top surface of the deck. The bar must be squarely located against the cross member (see Figure 2 and Figure 3).

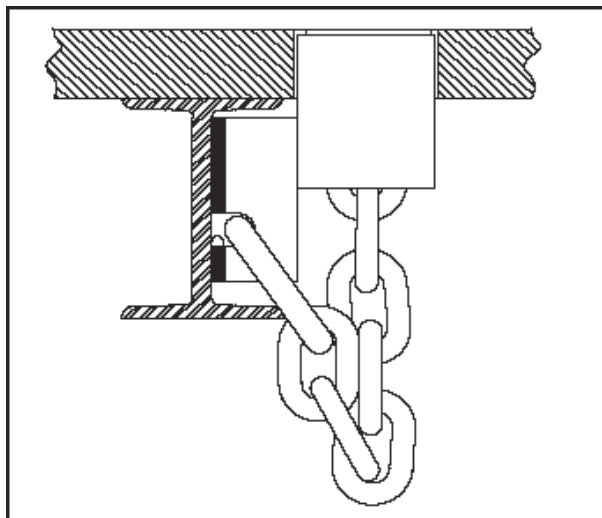
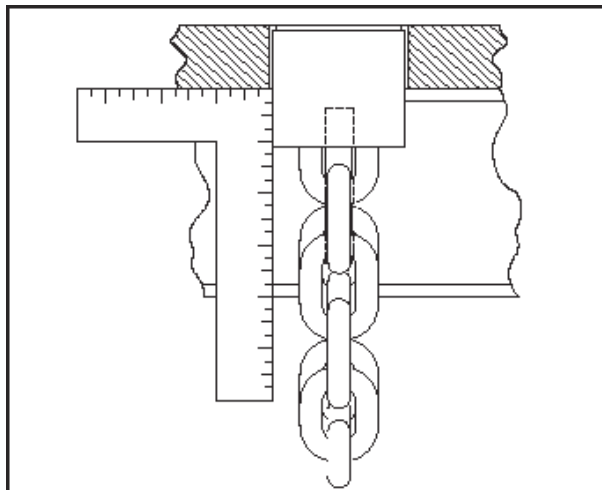


Figure 2 - Side View

- 5 Weld the bar of the Floor Chain Tie-down to the cross-member. Weld along both sides of bar (see Figure 4). Do not weld chain link, it must be free to move.

NOTE: Minimum weld requirements are $\frac{1}{4}$ " fillet welds with $\frac{1}{8}$ " penetration. All welding to be in accordance with A.W.S. standards.



- 6 Clean, prime and paint the weld and weld area to resist rusting.

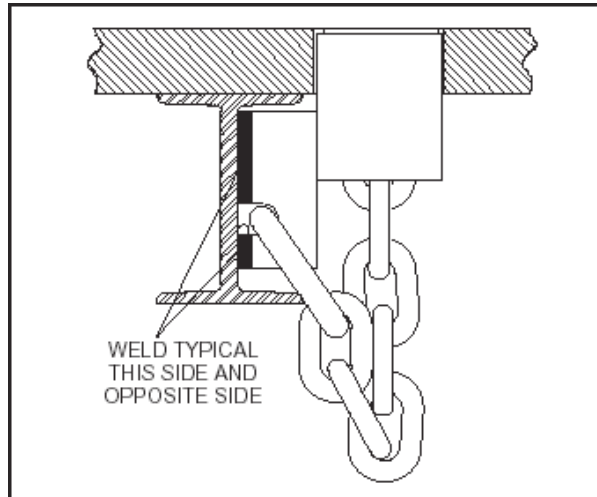


Figure 4 - Front View

Operation Instructions

- 1 Lift the lid of the Floor Chain Tie-down and retract the chain.
- 2 Seat the tie-down assembly hook between two adjacent links of the Floor Chain Tie-down (see Figure 5).



Caution: Do not place the tie-down assembly hook next to the lid of the floor chain tie-down.

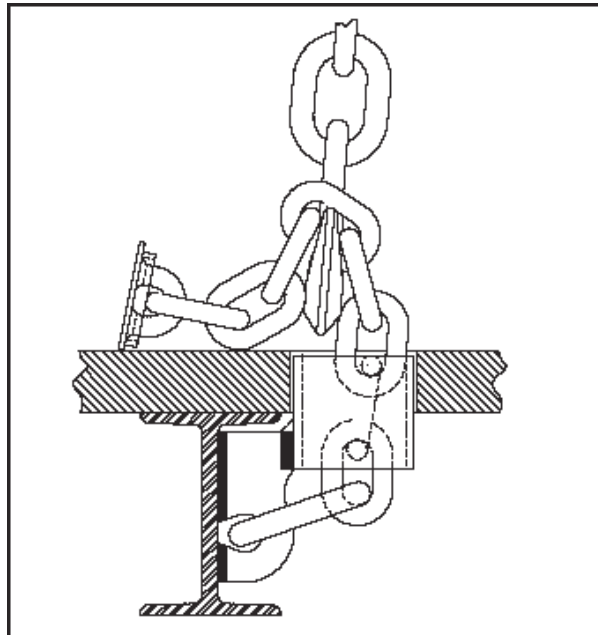


Figure 5

Inspection and Maintenance

- 1 Prior to each use, inspect for and replace any worn or damaged components.
- 2 Cracks in the weld area of the attachment point to the trailer cross member may be ground and rewelded as required per installation instructions.